



PCORE
ELECTRIC

KV CLASS 34.5kV **BIL** 200 kV **Uy** 22 kV

CURRENT RATING

400 AMP DRAW LEAD CONNECTION

DWG. **CATALOG NUMBER** **GLAZE COLOR**

SD B-89393-89 BROWN

SD B-89393-89-70 LT. GRAY

DATE 6-26-95 **REV. DATE** 1-10-20

MAXIMUM ALTITUDE 10000 ft [3000 m]

NET WEIGHT 70 lb [32 kg]

ANGLE OF INCLINATION FROM THE VERTICAL 0° TO 70°

MIN. CREEP 41.00 [1041.4] **MIN. STRIKE** 17.00 [431.8]

CREEP/L-G 2.06 [52.3] **STD.** IEEE C57.19.00

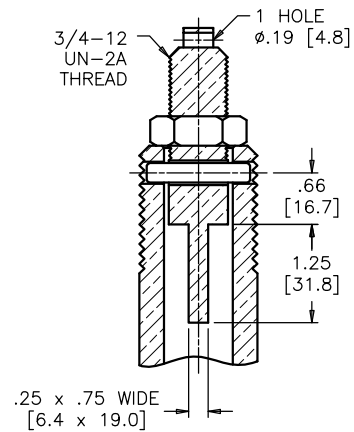
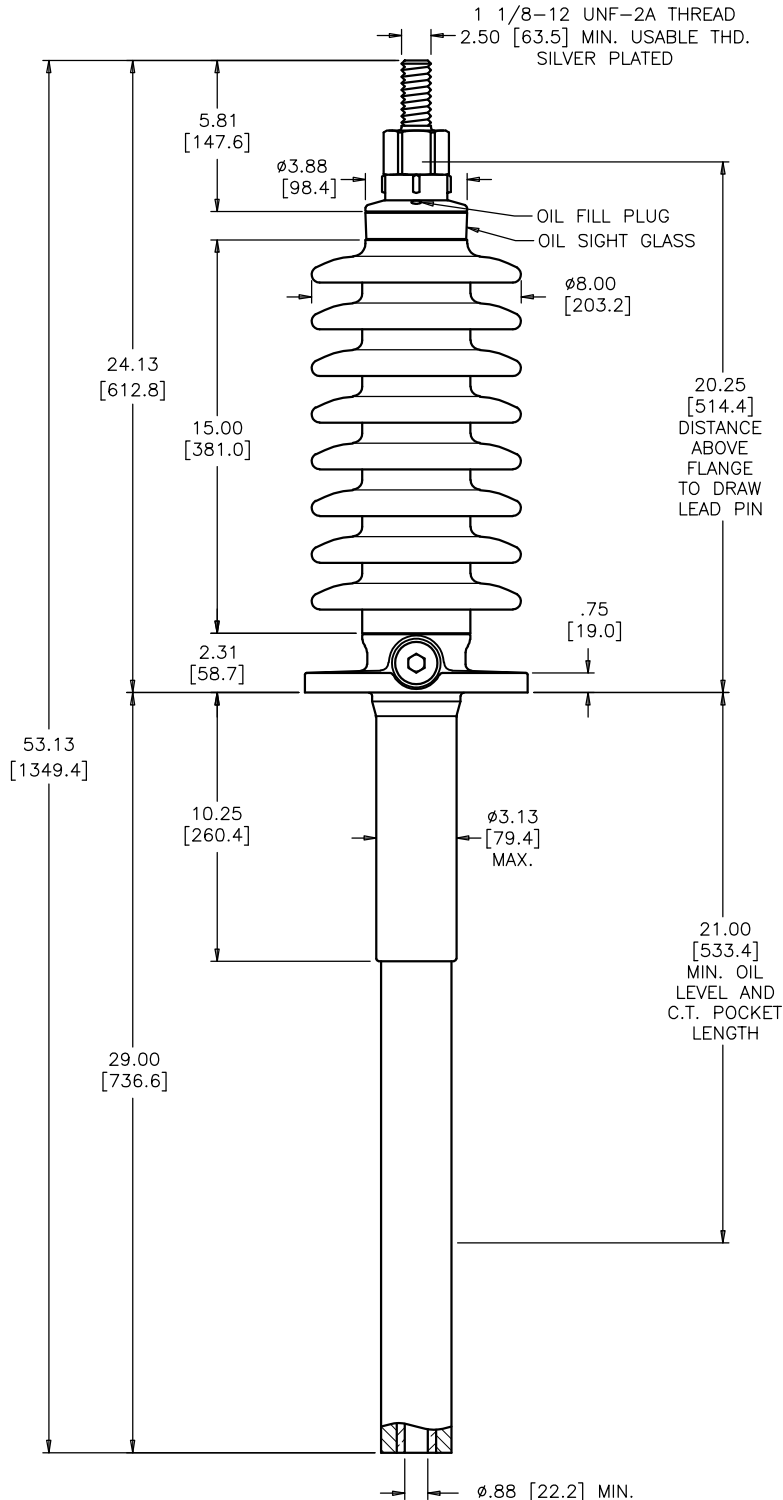
PCB CONTENT OF OIL IS LESS THAN 1 ppm

TITLE IEEE STANDARD BUSHING

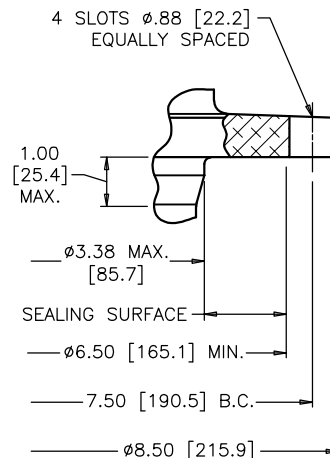
PRC BUSHING

1 1/8-12 THREAD ON TOP TERMINAL
NO THREAD EXTENSION AT BOTTOM
MODIFIED FLANGE, (4) ϕ .88 [22.2] SLOTS
ON 7.50 [190.5] B.C.

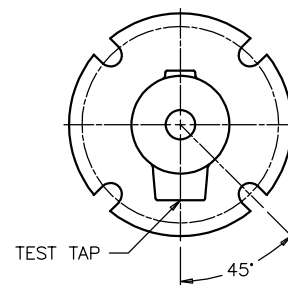
NOTE: ACTUAL DRAW-LEAD CURRENT RATING IS DETERMINED BY CABLE SIZE



DRAW LEAD ASSEMBLY



MOUNTING FLANGE DETAIL



FLANGE ALIGNMENT DIAGRAM TOP VIEW

DIMENSIONS IN INCHES [MILLIMETERS]

REVISION NET WEIGHT WAS 69 lb

SCALE 1/5

NOTE TO PURCHASER: ALL SALES OF PCORE PRODUCTS ARE SUBJECT TO OUR STANDARD TERMS AND CONDITIONS AND THE LIMITED WARRANTIES THEREUNDER